



● Features

- Offers up to 300 LBS Holding Force
- Suitable for fully weatherized indoor/outdoor
- Stainless Housing.
- Electronics potted with epoxy compound applications
- Adjustable mounting plate for easy installation.
- Anti-Residual magnetism designed.

● Statement

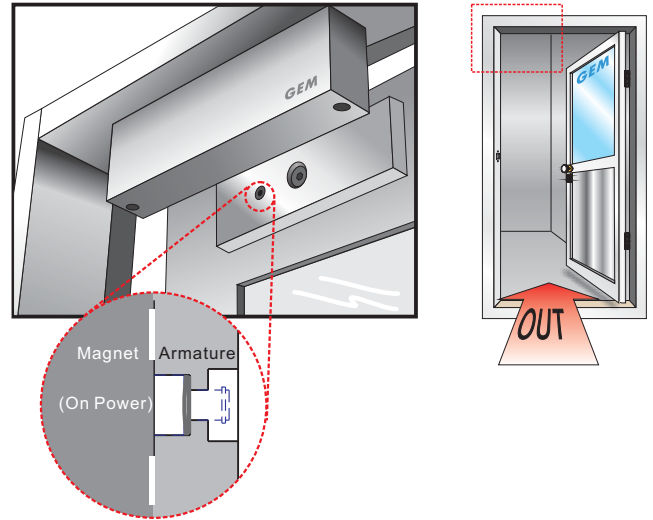
The 10003S EM-lock is designed for single doors and are suitable for out-swing applications. Installation of in-swing door, narrow-style frames and frameless glass door requires the used an additional bracket. With the accessories provided, the lock can be used on wooden, glass and even metal door. The Electromagnetic Locks are totally sealed in an epoxy filled stainless steel case for water-resistant and vandal-resistant purpose. A threaded conduit fitting ensures weather resistant protection of the wiring therefore it is ideal for indoor and outdoor applications, even in severe weather.

We offers up to 300 pounds holding force with 12V DC power input (24V DC input voltage available by special order) and with the full range of optional brackets. It is the best choice for electronic security industry and system integrators.

● Specifications

- Voltage Tolerance: $\pm 15\%$
- Current Draw: 300mA@12Vdc (at temperature 20C)
- Operating Temperature:-10~55C)14~131F(
- Humidity: 0~95% non-condensing.
- Lock's surface Temperature (when the power is on): \leq current temperature +20C
- Holding Force: Up to 300 lbs (136 Kg (
- Dimensions:
 - Magnet:(L) 170, (W) 32, (D) 24 mm
 - Armature Plate:(L) 152, (W) 32, (D) 10 mm
- Special Finishes for magnet and armature plate: Zinc
- Epoxy Potting Compound: E87252 (S), UL94V-0
- Weight (Approx.): 1.5 Kg

● Regular Installation



Unique Anti-Residual design

When the power is switched off, the holding force will be discontinuity and the bolt was installed in armature will pop



Suitable for server cabinet

● Warranty

The product is warranted against defects in material and workmanship while used in normal service for a period of 5 year from the date of sale to the original customer. The GEM policy is one of continual development and improvement; therefore GEM reserves the right to change specifications without notice.

GIANNI INDUSTRIES, INC.

No. 13, Zhong Sing Road, Tu-Cheng Industrial Zone,
 Tu-Cheng City, Taipei, Taiwan 23678
 Tel: 886-2 2267 7986 / Fax: 886-2 2267 9876
 E-Mail: info@gianni.com.tw
 Website: gianni.tw
 Copyright 2008 Gianni industries, inc. All rights reserved.
 DM-CA-10003S Ver. C Published on 2008.05.09



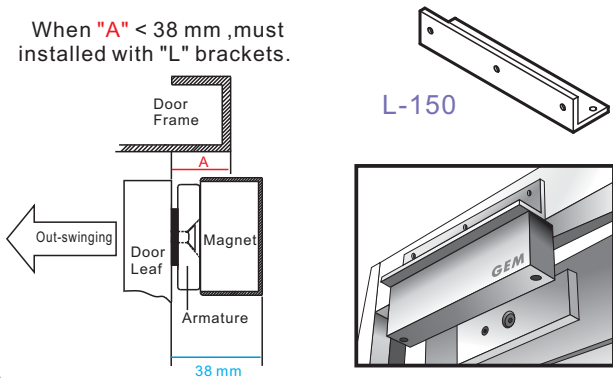
The products are manufactured under an ISO 9001 & QC 080000 Certified Quality Management Program environment back its product quality, performance and commitment to customer satisfaction.

Optional Brackets

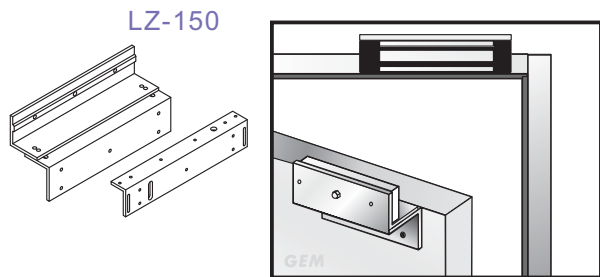
The door swinging direction and the door frame header are used to determine whether the bracket is required and this identify is a measure of which brackets is suitable. Our optional brackets include L-bracket, LZ-bracket and U-bracket.

With L-bracket for narrow door frames

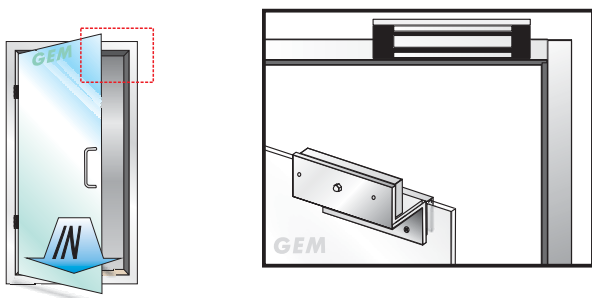
When "A" < 38 mm, must installed with "L" brackets.



With LZ-bracket for in-swinging doors



With GLZ-150 bracket for In-swing frameless glass door



GIANNI INDUSTRIES, INC.

No. 13, Chung Sing Road, Tu-Cheng Industrial Zone,
 Tu-Cheng City, Taipei, Taiwan 23678
 Tel: 886-2 2267 0322 / Fax: 886-2 2267 0323
 E-Mail: info@gianni.com.tw
 Website: gianni.tw

Copyright 2008 Gianni industries, inc. All rights reserved.
 DM-CA-10003S Ver. C Published on 2008.05.09



The products are manufactured under an ISO 9001 & QC 080000 Certified Quality Management Program environment back its product quality, performance and commitment to customer satisfaction.